



THUNDER TIGER



TAIWAN
EXCELLENCE



中華電信
Chungwa Telecom



雷虎科技
THUNDER TIGER



Thunder Tiger Corporation, a leading publicly traded company (8033.TW), specializes in designing and manufacturing a wide range of unmanned vehicles for military applications. With our extensive experience since our establishment in 1979, we have expanded our expertise to include unmanned aerial vehicles (UAVs), underwater remotely operated vehicles (ROVs), and all-terrain ground vehicles.

As a member of the prestigious Taiwan National Drone team, Thunder Tiger has been granted by the Taiwan Economic Ministry to develop a large-scale civil-military dual-use unmanned helicopter T-400. This recognition showcases our expertise and reputation in the industry. Additionally, our Emergency Response UAVs have collaborated with the largest telecom service provider, Chunghua Telecom, to provide disaster relief and communication solutions in Taiwan.



At Thunder Tiger, we prioritize long-term success and continuous innovation. We believe in self-funding our own research and development efforts, as well as collaborating with other leading companies to deliver top-quality solutions to our clients. This approach allows us to focus on our core competencies while leveraging the expertise of others in different areas.

Our comprehensive range of cutting-edge UAS includes the TETTRON TM-450, a portable and versatile UAS suitable for various military missions. Additionally, we offer the SeaShark unmanned surface vessel, which provides efficient and reliable maritime capabilities. Our flagship product, the T-400 Advanced Helicopter long endurance UAS, sets new standards in aerial surveillance and intelligence gathering.

Thunder Tiger excels in multiple areas, such as air vehicle and mission system design, production, communication systems, and sensor integration. With our in-house capabilities and close partnerships with industry and customers, we are at the forefront of UAS development, ensuring that our solutions meet the unique needs and challenges of the military industry.



中華電信
Chunghwa Telecom



雷虎科技
THUNDER TIGER



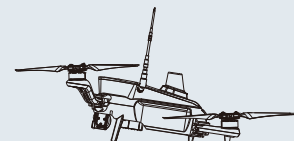
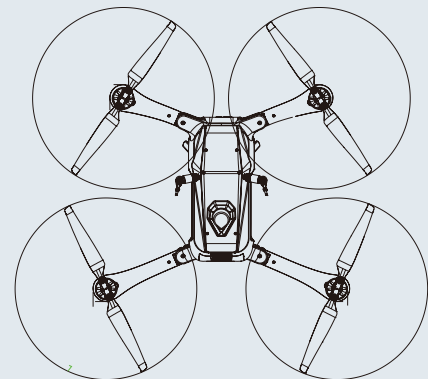
TETTRON TM-450
Autonomous Micro-UAS



TETTRON autonomous combat solution, the TM-450 micro-UAS is a military-grade, fully autonomous multi-rotor system has been developed to address the specific requirements of the Taiwan Defense Ministry. Its primary mission is to provide the most advanced close-range observation capabilities available. While it possesses the flexibility to handle a wide range of missions and applications, the TM-450 is particularly optimized for Short Range Reconnaissance (SRR) and excels in urban settings. Its advanced AI algorithms empower it to deliver day and night intelligence imagery, enhancing the capabilities of tactical combat units.

++ Key Features

- Maximum take-off weight: 2Kg
- Maximum remote control distance: 5Km
- Maximum horizontal speed: 20m/s(72 km/hr)
- Endurance: 30 minutes



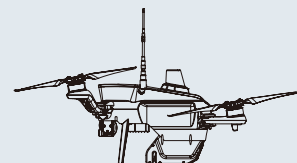
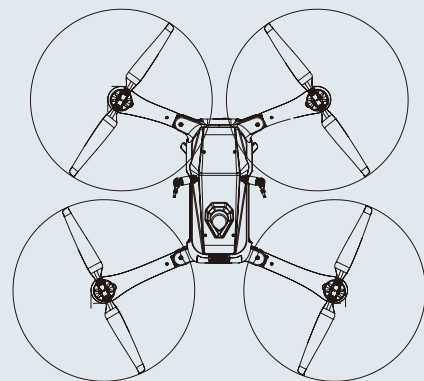


Thunder Tiger TM450 Hornet's hand launch and landing capability demonstrates its adaptability and effectiveness in dynamic combat environments and provide military personnel with a tactical advantage, whether operating in rugged terrains, or challenging combat zones.

TM450 Hornet is equipped with a built-in Skyhook system. This enables a drop and delivery mechanism, offering military operators the ability to deliver payloads in combat situations quickly. Whether it's supplies, medical equipment, or other critical resources, the Skyhook system ensures efficient and precise delivery, bolstering operational effectiveness and enhancing mission success rates.

++ Key Features

- Maximum take-off weight: 2.5Kg
- Maximum remote control distance: 5Km
- Maximum horizontal speed: 72km/hr
- Endurance: 30 minutes



中華電信
Chungwa Telecom



雷虎科技
THUNDER TIGER



T-200 UAV SWARM COMMUNICATION

Lte Relay/repeater Helicopter Communication Relay Station System



The T-200 MAVERICK can operate by single unit or multiple units and provides autonomous flying, industrial unmanned helicopter for airborne aerial imagery, and flying mobile relay/repeater station functions in areas where mobile phone signals do not reach, such as disaster sites, the T-200 communication relay station restores communication during disaster recovery work.

++ Key Features

- Maximum take-off weight: 20Kg
- Maximum remote control distance: 5Km
- Maximum horizontal speed: 100km/hr
- Endurance: 50 minutes





The Command Tower developed by Thunder Tiger integrates Active Electronically -Scanned Array (AESA) radar and UAV detection system with long-range dual EO-IR stabilized camera. The Command Tower can command multiple UAVs flying simultaneously (Swarm) and integrates with Chunghwa Telecom 5G Base station system and Multi-Access Edge Computing (MEC) to form a secure & intelligent MESH network for communication and defense purposes.

++ Command Tower Features:

- Swarm of the T200 Helicopters
- Aerial communication relay
- Detect unauthorized UAVs over the coverage area
- Powered by solar panels
- Deploy in remote areas
- Radar scanning and electro-optical and infrared cameras
- Detect, identify and track
- 360-degree tower for persistent surveillance
- Telecom 5G Base station system
- Multi-Access Edge Computing



中華電信
Chunghwa Telecom



雷虎科技
THUNDER TIGER



T-235AH ADVANCED HELICOPTER

Military Reconnaissance Mission

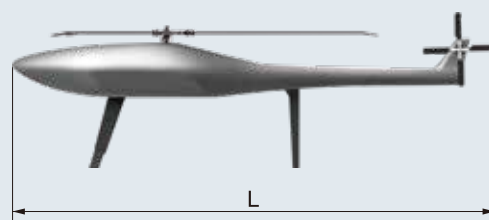
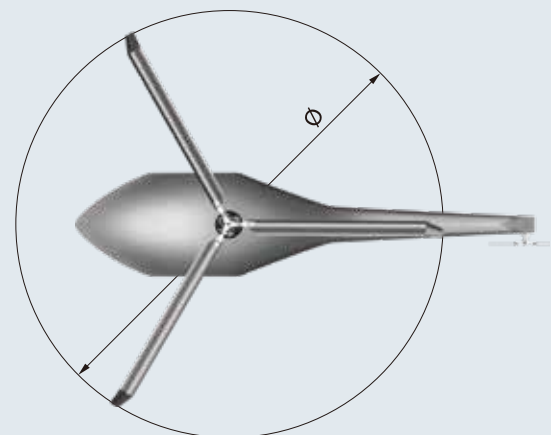


The all-electric T-235AH Advanced Helicopter is designed to support diverse mission requirements such as military reconnaissance, situational awareness, and precision targeting support. It comes equipped with a high-performance camera gimbal, ensuring precision in flight, extended endurance, and flexibility with payload options. Its low-noise flight characteristics further enhance its suitability for missions demanding precision and adaptability. T-235AH can fly continuously for long endurance over 70 minutes and the flight mission radius can be flexible based on missions.



++ Key Features

- Rotor diameter: 2110mm
- Length: 2403 mm
- Maximum take-off weight: 20Kg
- Maximum remote control distance: 20Km
- Maximum horizontal speed: 100km/hr
- Endurance: 70 minutes



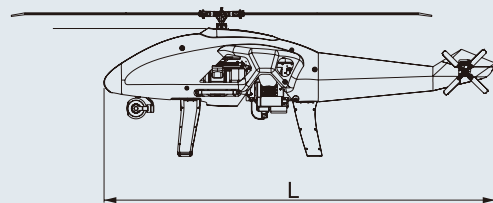
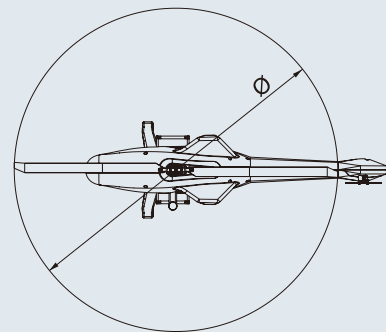


The T-250AH Advanced Helicopter offers flexibility in carrying diverse payloads, including military supplies, cameras, and communication equipment. The T-250AH possesses ample payload capacity to meet long-endurance and resupply requirements, with the capability to transport supplies or equipment weighing up to 10 kg for extended or high-altitude transportation missions. It boasts a mission radius reach of 100 km and a flight time of 4 hours. Additionally, its robust construction enables it to withstand challenging environmental conditions, rendering it suitable for a wide range of military and civilian roles, including surveillance, reconnaissance, maritime patrol, and more.



++ Key Features

- Rotor diameter: 2566mm
- Length: 2372 mm
- Maximum take-off weight: 35Kg
- Maximum remote control distance: 20Km
- Maximum horizontal speed: 100km/hr
- Endurance: 180 minutes



中華電信
Chungwa Telecom



雷虎科技
THUNDER TIGER



T-400 LONG RANGE HELICOPTER

Lte Relay/repeater Helicopter Communication Relay Station System

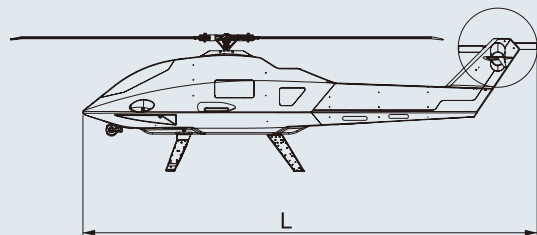
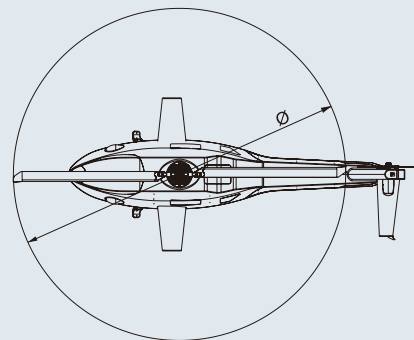


The T-400 Long-Range Helicopter is equipped with the reliable and robust Rotax 912 ULS engine; our design approach prioritized the seamless integration of the Rotax 912 engine. With operation radius of 200km, the T-400 can be used for surveillance, long-distance telecommunication and communication, air base stations in disaster areas and material / outlying island disaster relief supplies delivery,. Furthermore, the T-400 is exceptionally well-suited for a broad spectrum of battlefield and maritime missions, including Intelligence, Surveillance, Target Acquisition, and Reconnaissance (ISTAR).



++ Key Features

- Rotor diameter: 4393mm
- Length: 4620mm
- Maximum take-off weight: 180Kg
- Maximum remote control distance: 250Km
- Maximum horizontal speed: 120km/hr
- Endurance: 360 minutes



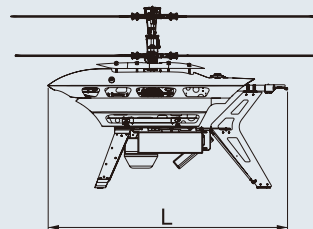


Thunder Tiger CX-180 ICEMAN is a collaboration project between Thunder Tiger and Chunghwa Telecom. The CX-180 helicopter is a flying 4G/5G Mobile Base Station equipped with small cells and antennas and can be easily transported, deployed, and moved quickly to accommodate rapidly changing conditions in emergency situations.



++ Key Features

- Acting as a cell tower in the sky
CX-180 helicopter can fly up to 100m and provides cellular coverage up to 35 square kilometers
- Reliable and unlimited flight time for mapping, surveillance, and inspection
- High-efficiency coaxial pitch control structure
- All-weather proof body



中華電信
Chunghwa Telecom



雷虎科技
THUNDER TIGER



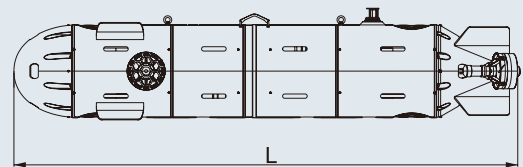
SEAWOLF 400 Autonomous Underwater Vehicle



The Seawolf 400, an Autonomous Underwater Vehicle (AUV), is a MINI Cooper size submarine, designed to accommodate civilian and military applications, spanning from surveillance and strike capabilities to supporting environmental preservation and scientific exploration. It supports underwater missions up to 200m depths. In the development of our prototypes, we prioritize open architectures and modularity to streamline the integration of sensors and facilitate future upgrades.

++ Key Features

- Length: 4000 mm
- Weight: 1000 kg (2204.6 lb)
- Critical Infrastructure Protection
- Underwater Anti-Mine
- Search and rescue operations
- Intelligence, Surveillance, Reconnaissance (ISR)
- Harbor / Costal Surveillance and Protection





SEASHARK 400

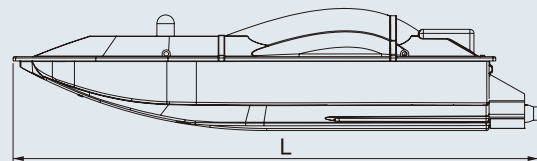
Autonomous Uncrewed Surface Vessel (USV)



The Seashark 400, an Autonomous Surface Vehicle (USV), is a specialized vessel created for defense and security missions on the water's surface. It incorporates advanced navigation and propulsion systems, a range of sensors, and customizable payloads for specific mission requirements. The Seashark 400 excels in surveillance, reconnaissance, and communication relay tasks. It offers flexibility, being capable of remote control or full autonomy, and adaptable to diverse maritime missions.

++ Key Features

- Length: 3840 mm
- Max speed: 43 knots (80 km/h)
- Multi-mission capabilities
- Manned/unmanned modes of operation
- Low-risk operations
- Reduces naval procurement and operating costs
- Transportable



中華電信
Chunghwa Telecom



雷虎科技
THUNDER TIGER



雷虎科技
THUNDER TIGER

UNMANNED SYSTEMS

THUNDER TIGER CORPORATION

NO.7, 6TH ROAD, INDUSTRY PARK, TAICHUNG, 40755, TAIWAN

Tel: 886-4-23591616 ext 561 Fax: 886-4-23591902

www.thundertiger.com or www.ttrobotix.com

e-mail: info@thundertiger.com



中華電信
Chunghwa Telecom



雷虎科技
THUNDER TIGER